

# YY-03B Semi-Automatic Batch Foaming Machine (Cabin Type) 移动式半自动海绵发泡机

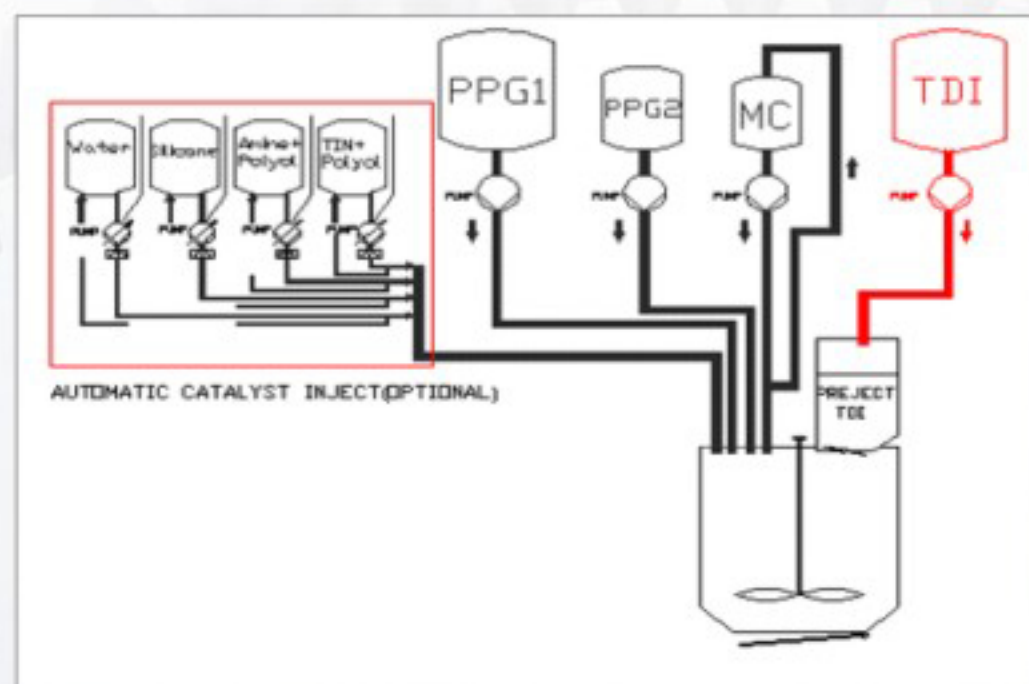


技术规格	TECHNICAL SPECIFICATION
搅拌桶容量: 180kg不锈钢	Mixer Barrel Capacity: 180kg Stainless Steel
搅拌叶片: 3种形式	Mixing Propeller: 3 kinds of design
搅拌马达: 台厂20HP	Mixing Motor: Taiwan Brand 20HP
控制系统: 人机界面	Control System: Human-Machine Interface(HMI)
电控组件: 欧美日原装进口	Electronics: Imported from Euro, USA, Japan
计量泵浦: 美国Viking/德国Kracht	Metering Pump: USA Viking/German Kracht
气动三向阀: 意大利VALBIA	Pneumatic Valve: Italy VALBIA



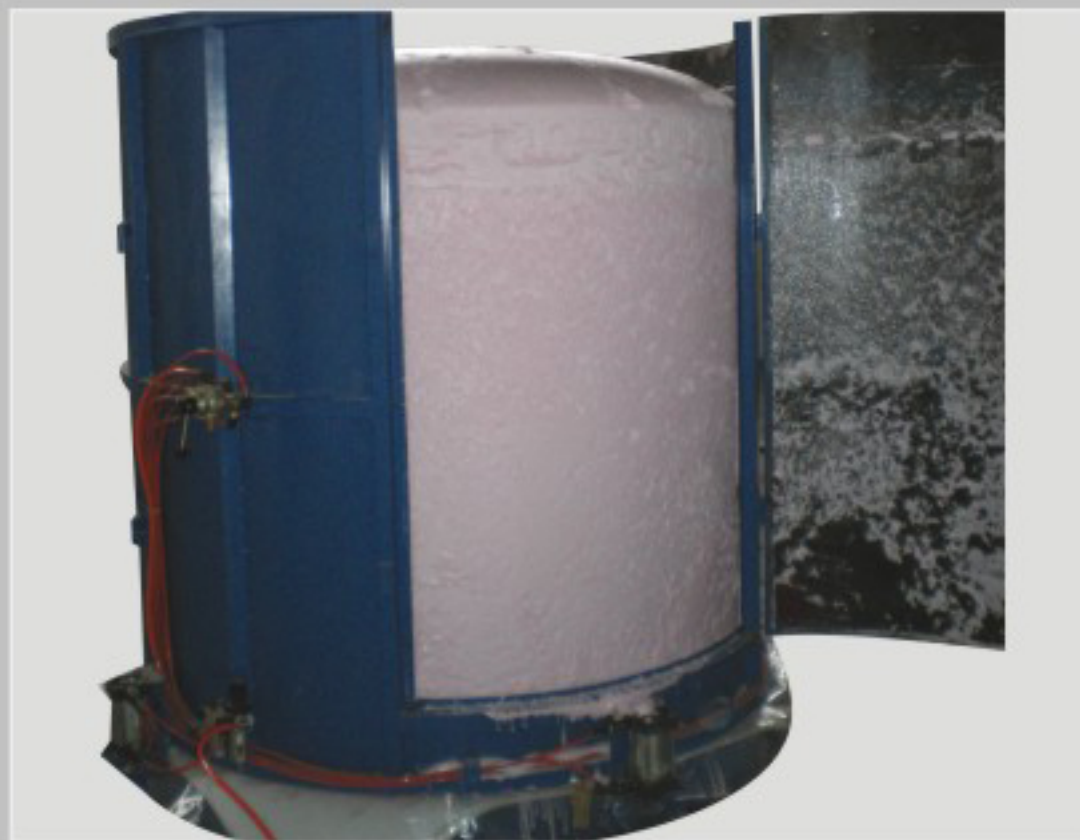
### 特性:

- 移动式半自动海绵发泡机适用于生产软质聚氨酯海绵，密度为10~50 kg/m<sup>3</sup>，自动化生产，生产成本低，操作系统稳定，质量优良。软质聚氨酯海绵主要用于家私、鞋材、胸围、电子、地毯及汽车工业
- 超过三十年经验生产移动式半自动海绵发泡机与相关设备，经验丰富、设计团队坚强，生产技术人员优越制造能力
- 移动式半自动海绵发泡机可生产聚氨酯海绵，英国防火棉，美国加州防火棉，慢回弹，高回弹，超软海绵，胸围绵，鞋材绵，高承载海绵，仿乳胶泡绵(根据机器配置)
- 海绵质量硬度分布均匀，密度误差小，稳定性佳
- 设备结构设计优良，搅拌系统专利设计，高效能，混合均匀
- 采用进口电控设备，特殊经验设计，耐用，精度高，减少生产产生错误
- 采用高精度美国Viking泵或者德国Kracht泵
- 采用进口气动阀
- 另外配置真空箱可生产无MC的真空海绵



### Feature:

- Flexible polyurethane foaming machine was special in furniture, brassiere shoe material, carpet, car material
- Foaming formula component can be selected depends on customer needs
- Key machine components are imported from internationally famous brand products in Europe and U.S.A
- More than 30 years of experience in manufacturing technology have made Yang Yu machinery the leading expert and supplier of foam plant
- Good to make polyurethane foam such as conventional, high resilience(HR), visco-eladtic(Memory) depends on stream selection
- Production rate is average 8 blocks perhour
- Choose to apply optional vacuum chamber is able to make vacuum foam without using MC



## Main Machine Introduction

- 生产位置：20m×12m
- 8个工时，约生产65个泡棉
- 20HP 主搅拌马达，转速100~2800 RPM
- 180kg 不锈钢混合桶
- 60L 不锈钢TDI预备射料缸
- 意大利进口气动三向阀
- Working space: 20m×12m
- 20HP main mixing motor, speed 100~2800 RPM
- 180kg stainless steel mixing tank
- 60L stainless steel prepare injection barrel for TDI
- PPG1料罐 2吨  
使用碳钢制作，内装有恒温控制冷却盘管（不锈钢材质制作）  
搅拌电机使用2HP附有减速机
- PPG2料罐 1吨  
使用碳钢制作，内装有恒温控制冷却盘管（不锈钢材质制作）  
搅拌电机使用2HP附有减速机
- TDI料罐 2吨  
使用碳钢制作，内装有恒温控制冷却盘管（不锈钢材质制作）  
搅拌电机使用3HP附有减速机
- MC料罐 0.3吨  
使用碳钢制作，内装有恒温控制冷却盘管（不锈钢材质制作）
- 恒温控制设备1套  
项目：  
A、冷冻机5吨×1只；  
B、冷水与热水共用一套缸  
C、循环水泵×2台
- MIXER TANK FOR PPG1:2000Liter×1;Use Carbon steel material Include the stainless steel coiled cooling pipes;Mixing motor use 3HP with reducer.
- MIXER TANK FOR PPG2:1000Liter×1;Use Carbon steel material Include the stainless steel coiled cooling pipes;Mixing motor use 3HP with reducer.
- MIXER TANK FOR TDI:2000Liter×1;Use Carbon steel material Include the stainless steel coiled cooling pipes;Mixing motor use 3HP with reducer.
- MIXER TANK FOR MC:300Liter×1;Use Carbon steel material Include the stainless steel coiled cooling pipes.
- Temperature control system×1 unit  
Item:  
• A、 Refrigerator 5ton×1set  
• B、 One tank for cool water and hot water  
• C、 Water pump×2sets